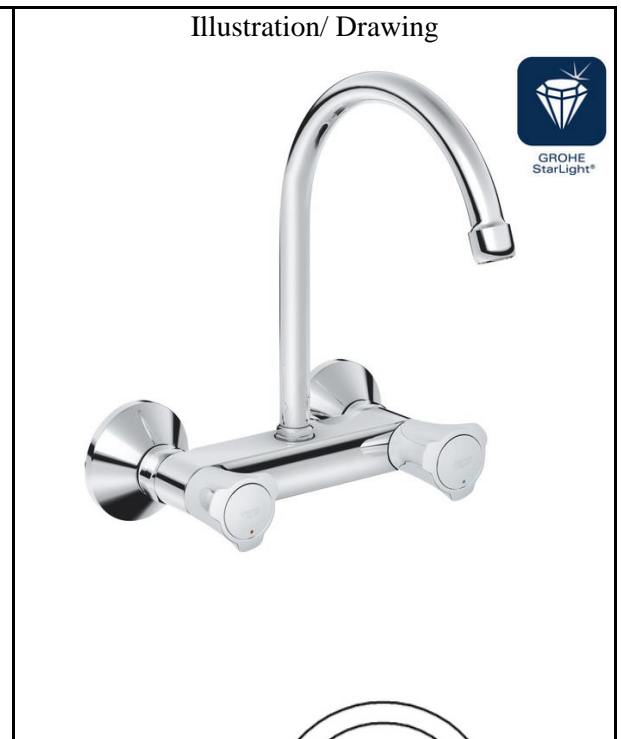




PROJECT		REF		REV	ITEM CODE	
LOCATION		DATE			PAGE	

SANITARY WARE SPECIFICATION SHEET

Item Descriptions	GROHE (Germany) "Costa L" Wall-mounted single-lever sink mixer 1/2" with chrome plated finish
Dimensions	L243 x W150 x H154 mm
Model	31191001
Finish / Material	Chrome Plated
Country of origin	Germany
Manufacturer	GROHE Limited
Supplier	Acme Sanitary Ware Co. Ltd Mr. Eric Wong/ Mr. Don Yuen
Contact Tel/Fax	(852) 2388-7171 / (852) 2710-8012
E-mail	acme@acmesanitary.com.hk
Website	www.acmesanitary.com.hk

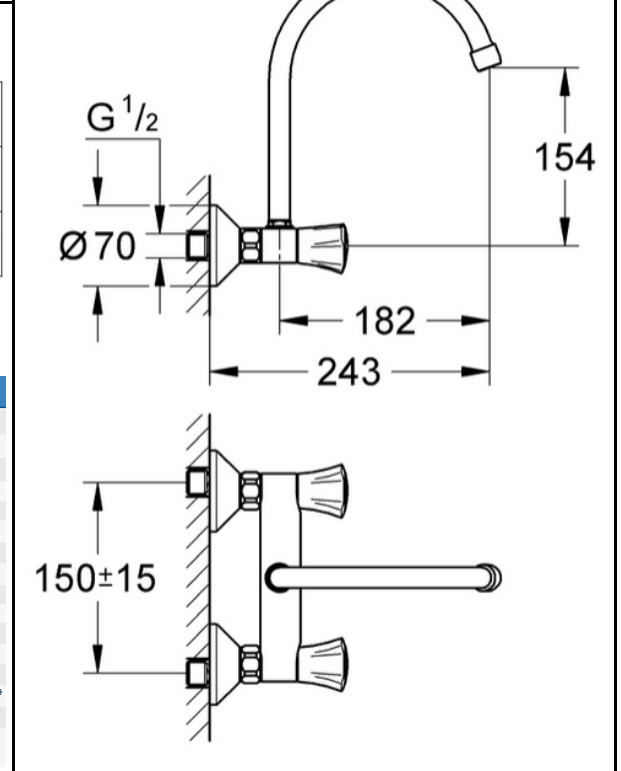


"Costa L"
Wall sink mixer 1/2"

- wall mounted
- metal handles
- heat-insulated
- screwable
- **GROHE StarLight** finish
- Longlife-headparts
- mousseur
- tubular spout
- swivel area 360°
- S-unions

Pos.-nr.	Prod. description	Order-nr.
1	Handle	45994000
1.1	Snap insert	0538600M
2	Headpart 1/2"	07146000
2.1	Sealing washer Ø6 x Ø2	0128300M
2.2	O-ring Ø18,2 x Ø1,7	0392400M
2.3	Seal	0529100M
3	Screw connection 1/2"	45044000
4	S-union	12075000
4.1	Seal	0138600M
4.2	Escutcheon	0221000M
5	Outlet	13213000
5.1	Mousseur	13928000
5.2	O-ring Ø12 x Ø2	0128000M
6	Extension 3/4", 20 mm	0713000M*
7	Screw for Costa/Avina products	48013000*
8	Special spanner	19377000*

* Optional accessories



Note:

* All information of the above is for the reference only. No prior notice is made if any changes.



Department

香港灣仔皇后大道東七號入境事務大樓
Immigration Tower, 7 Gloucester Road, Hong Kong

電子郵遞
e-mail wsdinfo@wsd.gov.hk

電話
Telephone 2829 4367

圖文傳真
Facsimile 2824 0578

檔號
Reference (2) in WSD 3321/16 Pt.1 T/J(364)

23 March 2016

Approval of "GROHE" Sink Mixer

Your letter ref. WRC/1048 dated 8 March 2016 refers.

Having considered test report ref. J19204 issued on 22 February 2016 by the Nutek Systems, Ltd., this Authority accepts that the fitting described below complies with, and its use when correctly installed does not contravene, the Waterworks Ordinance and Regulations.

Name of Manufacturer: Grohe AG
Country of Origin: Portugal
Brand: Grohe
Details of Fitting: 1/2" Wall mounted two-knob sink mixer
Model: 31191001
Body Markings: Logo of "Grohe"
Expiry Date: 15 February 2021

This Authority hereby permits the use of the above fitting in fresh water plumbing systems subject to full adherence to Waterworks installation requirements. In particular, you are required to draw your customers' attention to the following requirement-

"The cold water supply to the fitting shall be drawn from the same source that supplies the hot water apparatus so as to provide a balanced pressure and to obviate the risk of scalding in the event of a restriction or failure in the water supply."

A condition of this acceptance is that the fitting to be installed shall be replicas of the sample as certified by the testing agent mentioned above and without modifications. This acceptance may be withdrawn at any time if the standard of the fitting installed fails to meet that of the approved sample or if the fitting is found to be unsuitable for use in fresh water plumbing systems.

This acceptance is only applicable to the main body of the fitting, unless other specified.

For the use of the fitting in any project, the Acceptance Reference Number at the bottom of this letter must be quoted as a means of identification of acceptance of the fitting by this Authority.

Should you have any enquiries, please contact our Engineer Ms. K L FOK at tel. no. 2829 5657.

Yours faithfully,



(LAM Ching Man)
for Water Authority

c.c. WSD 3321/1/82] - without catalogue
E/CS(TS)1] - with soft copy only